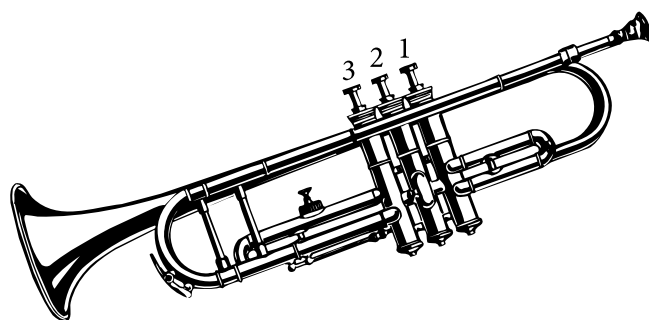


# TRUMPET FINGERING CHART



Trumpet in B $\flat$

123	13	23	23	23	12	12
1	1	2	0	1	123	123
13	23	23	12	1	2	2
0	23	23	12	1	1	2
0	12	12	1	2	2	0
1	2	2	0	23	23	12
1	1	2	0	12	12	1
2	2	0	1	2	2	0